

| Rev. | Description | Name | Date |
|------|-------------|------|------|
| 05 | | | |
| 04 | | | |
| 03 | | | |
| 02 | | | |
| 01 | | | |

Technobel india
 #37 ,Thrumagondanahalli village,
 Neralur post,Attible Hobli,
 Hosur road, Bangalore-562017.
 info@technobelindia.com

| | | | |
|--------------------|-------------|--------|------------|
| Design by A.DAS | CUSTOMER | | |
| Checked by | CONTRACTOR | | |
| Apped by: | Projection: | Scale: | Date: |
| | | NTS | 03.10.2018 |

| | | |
|---------------------------------|------------------|------------|
| Drawing No. WO-TBI-18-19-020 | Material CRCA | Rev: R0 |
| Title: SCHMATIC DIAGRAM | | 3 |

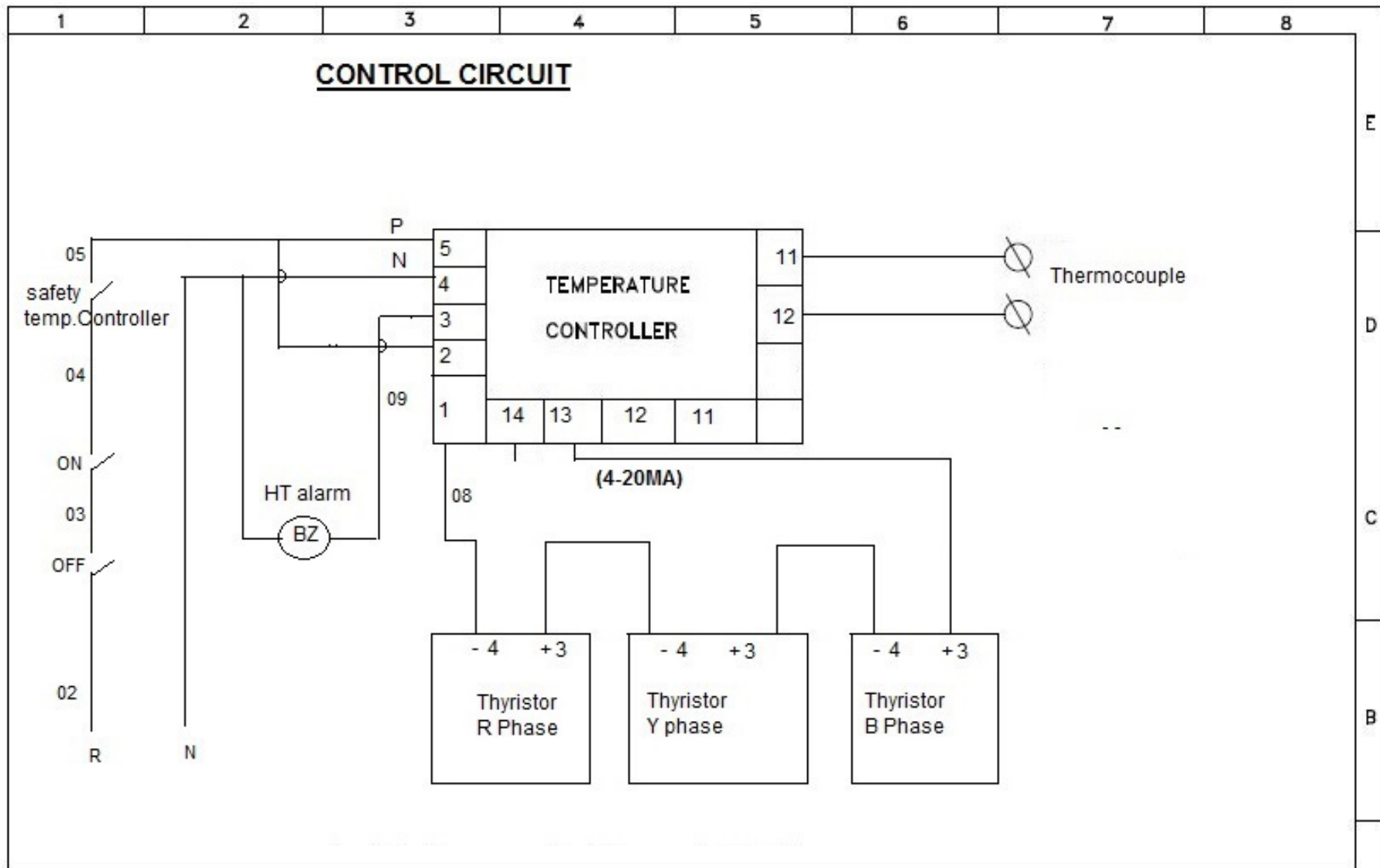
E

D

C

B

A



| Rev. | Description | Name | Date |
|------|-------------|------|------|
| 05 | | | |
| 04 | | | |
| 03 | | | |
| 02 | | | |
| 01 | | | |

Technobel india
 #37 ,Thrumagondanahalli village,
 Neralur post,Attible Hobli,
 Hosur road, Bangalore-562017.
 info@technobelindia.com

| | | | |
|--------------------|-------------|--------|------------|
| Design by A.DAS | CUSTOMER | | |
| Checked by | CONTRACTOR | | |
| Appd by: | Projection: | Scale: | Date: |
| | | NTS | 03.10.2018 |

| | | |
|---------------------------------|------------------|------------|
| Drawing No. WO-TBI-18-19-020 | Material CRCA | Rev. R0 |
| Title: SCHMATIC DIAGRAM | | 2 |

E
D
C
B
A